

BE1800D

HYD. EXCAVATOR



- Efficient Hydraulic System
- Closed Loop Swing System
- Aesthetically Improved Cabin
- Optimized Service & Maintainability Index
- Powerful, Economical Engine
- Effort-Free operation
- Maximum Working Performance
- High Total Reliability and Durability
- Easy Maintenance
- Operator Comfort



BACKHOE

Gross Power : 2 x 354 kW (2 x 475 HP)
@2000 rpm

Operating mass : 175000 kg

Bucket Capacity : 10.5 m³ - 12.0 m³

LOADING SHOVEL :

Flywheel Horsepower : 2x354kw (2x475 HP) @ 2000 rpm

Operating mass : 175000 kg

Bucket capacity : 7.5 m³ - 10.2 m³



www.bemlindia.in

BE1800D HYDRAULIC EXCAVATOR

Salient Features :

Efficient hydraulic system for increased productivity : Four pump hydraulic system with independent closed loop swing function not only assures smooth compound work equipment movements and travel but also shortens the cycle time

Powerful economical Engine : Two BEML diesel engines deliver 2 x 354 kW (2 x 475 hp). A direct injection system for reduced fuel consumption and assures high operational economy. The turbo charger allows engine to attain high performance even on high altitude job sites.

Effort free operation : Work equipment controls are simple and light touch due to the hydraulically assisted control system.

Maximum working performance : Wide working range and large undercarriage assure stable operation for maximum working performance.

Easy maintenance : Centralised monitoring systems within the operator's cab allows fast daily checks and also keeps the operator constantly informed of any abnormality during operation.

Operator comfort : Specially designed cab provides plenty of work space and excellent visibility.

Minimum Downtime : Automatic lubrication system supplies optimum amount of grease to vital hinge pins and swing circle bearings reducing failures and downtime.

Safety : Automatic fire detection and suppression system prevents fire accidents and hence minimizes loss of valuable resources.

ENGINE

BEML BSA6D140EG, 4 cycle, water cooled, overhead-valve, direct injection, turbocharged, diesel engine with water cooler. Six cylinders of 140 mm bore x 165 mm stroke and 15.24 l piston displacement. Electronic governor.

Gross horse power : 2 x 354 kW (2 x 475 hp) @ 2000 rpm Gear pump driven forced lubrication with full flow filter. Dry type air cleaner with an automatic dust evacuator for longer element service intervals and a dust indicator for simplified maintenance. 24 Volt electrical starting system.

HYDRAULIC SYSTEM

Unique three-pump system and independent closed loop swing function assure smooth compound movements of the work equipment. Positive control Load Sensing System with electronic load limiting control for main pumps for efficient use of engine power. This system also reduces hydraulic loss during operation, resulting in low fuel consumption. Oil-to-air hydraulic oil cooler maintains optimum heat balance of the hydraulic oil.

Hydraulic pumps

Four variable-capacity piston pumps power the boom, arm, bucket and travel circuits.

Capacity (discharge flow) at engine rated rpm : 4 x 410 l/min

Two variable capacity piston pumps power the swing circuit.

Capacity (discharge flow) at engine rated rpm : 2 x 358 l/min

Tandem gear pump powers the pilot control circuit and AC compressor.

Capacity at engine rated rpm : 2 x (50+25) l/min

Hydraulic Motors :

Travel : Four, Variable displacement axial piston motors with brake external valve (two for each track).

Swing : Two fixed displacement piston motors with external swing holding brake.

Control Valves :

6/3 way eight spool type x 2

Relief valve settings

Implement circuits : 31.4 MPa (320 kg/cm²)

Travel circuits : 31.4 MPa (320 kg/cm²)

Swing circuits : 30.0 MPa (300 kg/cm²)

Pilot circuits : 3.43 MPa (35 kg/cm²)

Hydraulic cylinders (Backhoe) :

Cylinder	Number	Bore x Stroke
Boom	2	280 mm x 2660 mm
Arm	2	250 mm x 2180 mm
Bucket	2	200 mm x 2170 mm

Hydraulic cylinders (Loading shovel) :

Cylinder	Number	Bore x Stroke
Boom	2	280 mm x 2110 mm
Arm	2	225 mm x 1830 mm
Bucket	2	225 mm x 1870 mm
Bottom dump	2	180 mm x 460 mm

STEERING

Steering/travel controls are actuated with either hand levers or foot pedals. Pushing both levers (or pedals) makes the machine move forward. Pulling them back makes machine move backward. Setting one lever (or pedal) in neutral and the other in forward while pulling the other backward makes machine counter-rotate on the spot.

STANDARD ACCESSORIES

2 x 24 V / 7.5 kW starting motor, 24 V / 45 A alternator, 2 x 12 V / 200 Ah batteries, air cleaner, dust indicator, two modes selection, Fully hydrostatic drive, Track roller guards, Travel motor guards, Wet disc type parking brake, Swing holding brake, Hydraulic idler cushion (HIC), Vandalism cap, Segmented sprocket, Tool box, Electronic monitoring panel. All steel High mount cab includes tinted glass windows, reclining seat, magazine box, rubber mat, rear view mirror, cabin fan, wind shield wiper, portable fire extinguisher and room lamp. Counter weight, Air horn, Automatic lubrication system. Air conditioner, FOPS with front wind shield guard cabin with wind shield washer.

OPTIONAL ACCESSORIES

Heater, Track shoe (1010 mm).



DRIVES

Fully hydrostatic drive system. Each track is driven by two hydraulic motors. Power is transmitted through spur gears and planetary reduction gears to the track.

Max. drawbar pull : 1030 kN (105000 kg)
Max. travel speed : 0.75 m/s (2.7 km/h)

BRAKES

Hydraulic lock type brakes. Each travel motor is equipped with a brake valve. When the travel / steering levers are positioned in neutral, the brake is automatically applied. When the brakes are applied, the brake valve softens shocks and also serves to regulate speeds when making descent. Wet, multiple disc type parking brakes. Which are hydraulically interconnected with travel/steering lever are also automatically actuated on the final-drive shaft.

SWING SYSTEM

Two piston motors power the swing system through swing machineries with spur and planetary reduction gears. The wet disc type swing holding brake is automatically applied when the control lever is positioned in neutral. Single-row shear type ball bearings with induction-hardened internal gears are built-in in the swing circle.

Swing speed : 4.5 r/min
Tail Swing radius : 6000 mm

UNDER CARRIAGE

Job-proven undercarriage with long track and wide track gauge. Center frame is mounted on the track frames and secured with bolts. Variable track gauge. Sealed tracks. Lubricated rollers and idlers. Hydraulic track tension adjusters with a cushion cylinder. Assembled track-type tractor shoes with double grousers.

Shoe width	: 810 mm
Grouser height	: 23 mm
No. of shoes (each side)	: 49
No. of track rollers (each side)	: 8
No. of carrier rollers (each side)	: 3
Ground pressure (Backhoe)	: 162 kPa (1.65 kg/cm ²)
Ground pressure (Loading shovel)	: 162 kPa (1.65 kg/cm ²)

OPERATING MASS (approx.)

Loading Shovel:

Operating mass including 5900 mm boom, 4400 mm arm, 10.2m³ standard bucket, operator, lubricant, coolant, full fuel tank and the standard accessories. 175,000 kg.

Backhoe:

Operating mass including 9100 mm boom, 4100 mm arm 10.5 m³ heavy duty bucket, operator, lubricant, coolant, full fuel tank and the standard accessories..... 175,000 kg

SERVICE REFILL CAPACITY

Fuel tank	: 2200ℓ
Coolant	: 2 x 147ℓ
Engine	: 2 x 33.5ℓ
Final Drive (each side)	: 2 x 85ℓ
Swing drive (each side)	: 2 x 37ℓ
Hydraulic Tank	: 1500ℓ
Pump Drive	: 2 x 10ℓ

BUCKET RANGE

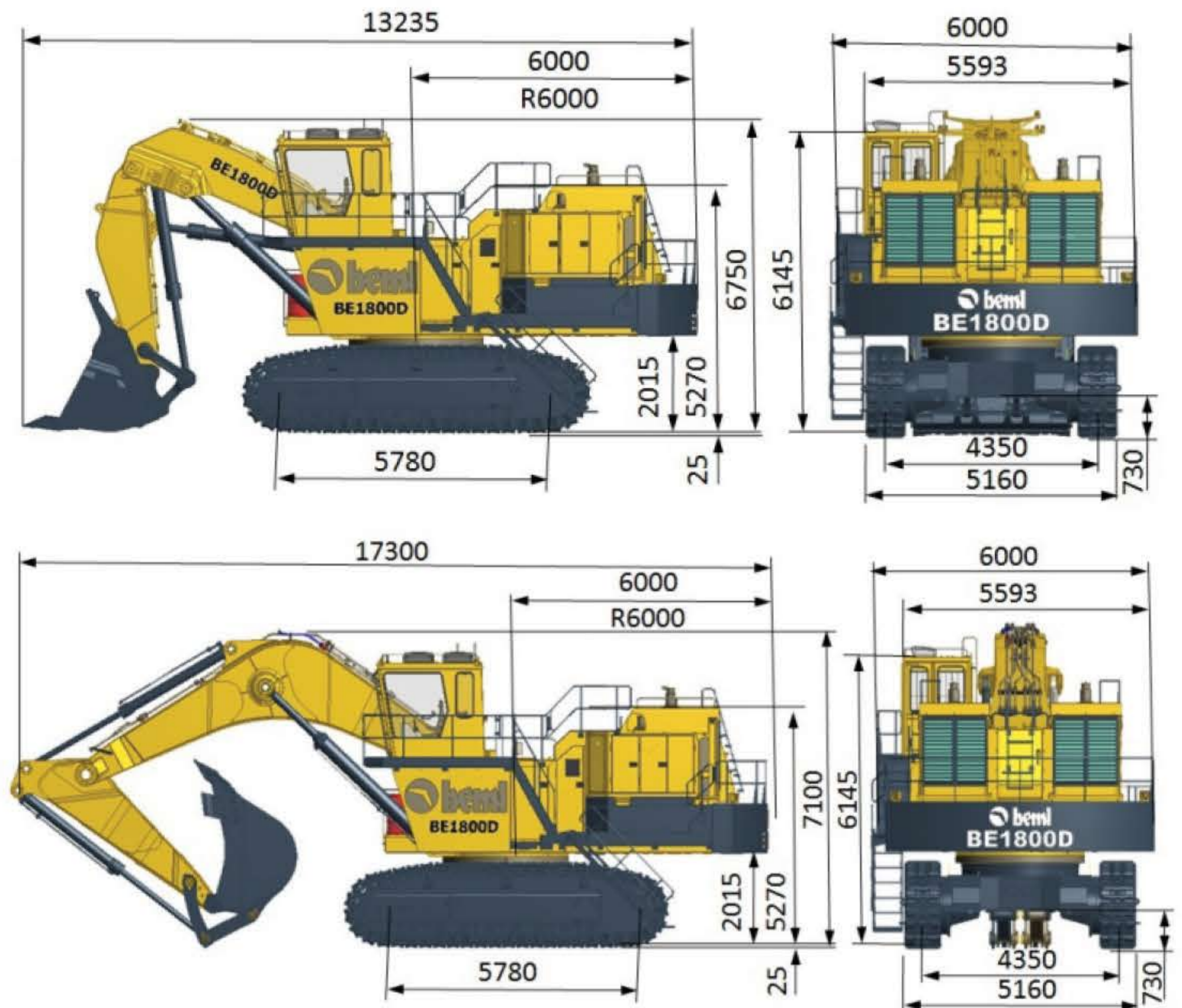
EXCAVATOR	LOADING SHOVEL				BACKHOE	
Bucket Capacity m³						
Heaped	10.2	9.5	9.5	7.5	8.5	10.5
Stuck	8.1	7.5	7.5	6.1	6.7	8.2
Bucket width in mm						
Without side cutters	3,200	3,000	3,000	2,800	1,995	2,280
With side cutters					2,155	2,440
Bucket Mass (kg) with teeth						
Without side cutters	13,600	13,300	13,900	13,000	6,740	7,950
With side cutters					7,010	8,220
No. of bucket teeth	6	6	6	5	5	5
Bucket type	General Purpose	General purpose	Heavy duty	Rock	Heavy duty	Heavy duty

FILTER SYSTEMS

Engine Two stage fuel filter with water separator.
Air intake Dry type, two stage air cleaner with dust evacuator
Hydraulic Two suction filter, four line filters and six return line filters.

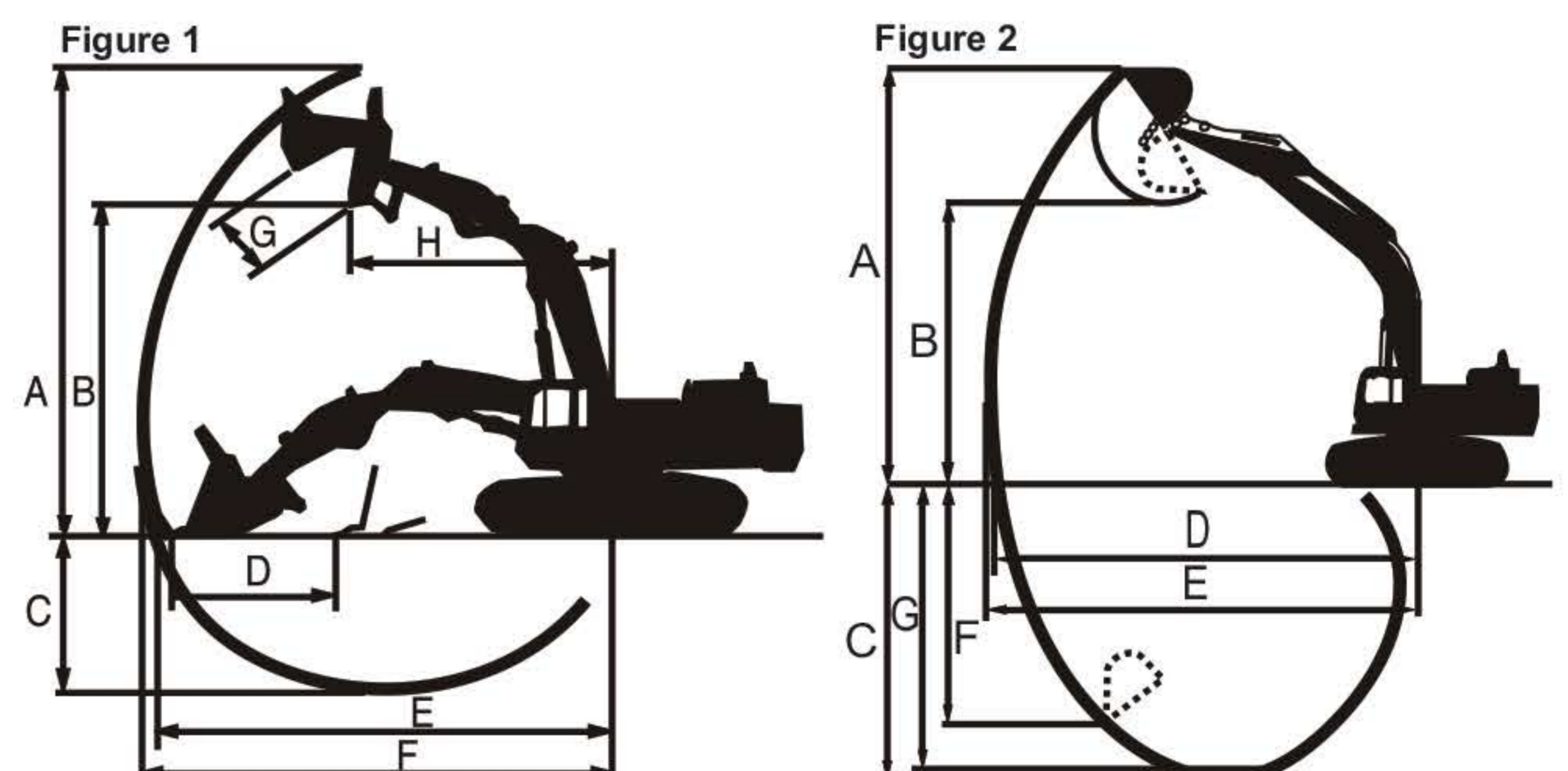
DIMENSIONS

	Backhoe	Loading shovel
Overall length	17.300	13.235
Overall width	6.000	6.020
Overall height	7.100	6.750
Track length on ground	5.780	5.780
Track gauge	4.350	4.350
Min. ground clearance	0.730	0.730



WORKING RANGE

EXCAVATOR	SHOVEL	BACKHOE	
BOOM	5900	9100	
ARM	4400	4100	5000
BUCKET	10.2 m ³		
A. Max. cutting digging width (m)	14110	13550	13850
B. Max. dumping height (m)	10230	8730	9030
C. Max. digging depth (m)	4050	10000	10730
D. Level crowding distance (m) / Max. vertical digging depth	5220	5630	6230
E. Max. digging reach at G.L. (m)	12500	16040	16900
F. Max. digging reach (m)	13140	16450	17290
G. Max. Bucket throat opening / Max. digging depth of cut at 2.44 m level	1890	9900	10630
H. Reach at max. dumping height	7140	9900	10630
Forces kN(kgf)			
Digging Force (Bucket)	716 (73,000)	571 (58,200)	571 (58,200)
Digging/Crowding Force (arm)	716 (73,000)	535 (54,500)	467 (47,800)



Material and specifications are subject to change without notice, Illustrations may include optional equipment & accessories

बी ई एम एल लिमिटेड

BEML LIMITED

Schedule 'A' Company under Ministry of Defence, Govt. of India

Business Network

Corporate Office

BEML Soudha, 23/1, 4th Main,
S.R. Nagar, Bangalore – 560 027

T + 91 80 22963240, 22963250

F + 91 80 22963278/516/280/164

E-mail: office.cpd@beml.co.in
corpcomm@beml.co.in

International Business Division

Flat No. E,F,G, H, 'Vandana' 11th Floor,
11, Tolstoy Marg, Connaught Place
New Delhi – 110 001

T + 91 11 23316500
F + 91 11 23325085

E-mail: mx@beml.co.in

Marketing Division

5th Floor, Unity Building,
J.C. Road, Bangalore – 560 002

T + 91 80 22963501/02/07/510/540

F + 91 80 22963541

E-mail: m@beml.co.in
mmd@beml.co.in

REGIONAL OFFICES

Bangalore

4th Floor, Unity Building, J. C. Road,
Bangalore - 560 002
Karnataka

T + 91 97413 51588
E-mail: mg@beml.co.in

Bilaspur

1-A, Industrial Area, Sector-C, Sirgitti,
Bilaspur - 495 223.
Chhattisgarh

T + 91 7752 252745, 252598
F + 91 7752 252065
E-mail: mv@beml.co.in

Neyveli

F-4, Dr. Rajendraprasad Road,
Block-27, Neyveli,- 607 803
Tamil Nadu

T/F + 91 4142 268517
T + 91 4142 265517 / 229392
E-mail: ma@beml.co.in

Dhanbad

Mouza - Kangalo, Amaghata,
Govindpur,KG Ashram Post, Dhanbad
Jharkhand – 828 109

T + 91 94711 92023
E-mail:mf@beml.co.in

Hyderabad

3-6-114, Street No.18, Himayat Nagar,
Hyderabad - 500 029
Telangana

T + 91 40 2322 7032 / 94907 93117
F + 91 40 23221794
E-mail: rm.hyderabad@beml.co.in

Kolkata

35/1A, Taratala Road,
Kolkata - 700 088.
West Bengal

T + 91 33 2401 5286 / 87 / 98 / 99
F + 91 33 2401 5288
E-mail: rm.kolkatta@beml.co.in

Mumbai

32A, Bazar Road,
Near Jain Mandir, Bandra (West), Mumbai,
Maharashtra - 400 050

T + 91 22 26431875 / 26435875
F + 91 22 26423928
E-mail: rm.mumbai@beml.co.in

Nagpur

No 33, Cement Road,
Shivaji Nagar,
Nagpur - 440 010, Maharashtra.

T + 91 712 2248435 / 2248343
F + 91 712 2249997
E-mail: mn@beml.co.in

New Delhi

Flat E,F,G,H, 'Vandana', 11th Floor,
11, Tolstoy Marg, Connaught Place,
New Delhi - 110 001

T + 91 11 2344 3511 / 3528 / 2331 6500
F + 91 11 2332 5085
E-mail: ml@beml.co.in

Ranchi

206/D-1, Bhagirathi, (Behind NCC Campus)
Rameshwaram Colony, Bariatu Road,
Ranchi, Jharkhand - 834 009

T + 91 651 2540710 / 94311 08531
E-mail: mr@beml.co.in

Sambalpur

BEML Complex, NH-6, Panchagachhia,
Baraipalli Post, Sambalpur 768 006
Odisha.

T + 91 663 2521604 / 2521389
E-mail: mb@beml.co.in

Singrauli

PB No. 5, Jhingurdha Colliery,
Singrauli - 486 889
Madhya Pradesh.

T + 91 7805 272668 / 272318
F + 91 7805 272282
E-mail: rm.singrauli@beml.co.in

ACTIVITY CENTRES

Bhopal

Ground Floor, Hall No.1, Chittod Complex, Zone-1,
Maharanapratap Nagar (MP Nagar), Bhopal - 462 011

T + 91 755 2550711 / 8989459753

Panjim

BEML Limited, 5/4, Victor Building, Fontanhas, Mala,
Panjim - 403 001, Goa

T + 91 832 2225135 / 77986 87178

Itanagar

C/o. Tobom Riba, H-Sector, Papum
Itanagar – 791 113, Arunachal Pradesh

T + 91 94029 34205 / 88372 15852

Kochi

No. 39/2122, Chittoor Road, Emakulam South,
Kochi – 682 016

T + 91 484 2375138
E-mail: rm.kochi@beml.co.in

Maihar

Maihar, Madhya Pradesh

Mob: +91 79875 53768

Silapathar: Surya Vatika, Amritpur, Silapathar, Assam - 787 059 T + 91 95311 29059

DISTRICT OFFICES

Ahmedabad

99/100, BEML HOUSE, 2nd Street,
Azad Society, Ambawadi,
Ahmedabad - 380 015, Gujarat

T + 91 79 26445523 / 94264 13620
F + 91 79 26423950
E-mail: rm.ahmedabad@beml.co.in

Asansol

3, Burnpur Road,
Asansol - 713 304
West Bengal

T + 91 341 2252480
F + 91 341 2250601
E-mail: mca@beml.co.in

Bacheli

Behind Central Stores of NMDC Ltd.,
Depot 5, Bacheli - 494 553.
Chhattisgarh

T/F + 91 7857 230005
E-mail: rm.bacheli@beml.co.in

Bhilai

Room no 22/C, BSP Expansion Building,
Near Ispat Bhavan, Bhilai 490 001, Chhattisgarh

T + 91 788 2223880
F + 91 788 2221652
E-mail: mnb@beml.co.in

Bhubaneswar

252/A, Lewis Road
Bhubaneswar - 751 014
Odisha

T + 91 674 2434427 / 99373 83950
E-mail: mbb@beml.co.in

Chandrapur

Mamidwar, Tiles Factory Compound
Ghugus Road, Padoli
Chandrapur - 442 406 Maharashtra

T + 91 7172 287230
F + 91 7172 287560
E-mail: mnc@beml.co.in

Chennai

Flat No. 10, Supriya Estates,
No.3, Sterling Road, Nungambakkam,
Chennai - 600 034, Tamil Nadu.

T + 91 44 28220844
F + 91 44 28257319
E-mail: rm.chennai@beml.co.in

Guwahati

No.11, Ward 43, Hengrabari Road,
Ganesh Puri, Dispur,
Guwahati - 781 006 Assam

T + 91 361 2232966
F + 91 361 2232967
E-mail: rm.guwahati@beml.co.in

Hospet

No.1431, Manjunatha Complex,
Bhagat Singh Nagar, Opp. KSSIDC Indl. Estate,
Dam Road, Hospet - 583 203, Karnataka

T/F + 91 8394 230172
E-mail: rm.hospet@beml.co.in

Jammu

62C, Block D/C, Gandhi Nagar,
Jammu tawi - 180 004
Jammu and Kashmir

T + 91 191 2459 437
F + 91 191 2430 447
E-mail: mlj@beml.co.in

Kothagudem

Old Project Planning Department,
Near SCCL Corporate Office,
Kothagudem - 507 101, Telangana

T + 91 8744 245572
F + 91 8744 245530
E-mail: rm.kothagudem@beml.co.in

Leh

174-B, (Near Royal Enfield Showroom),
Housing Colony, Leh, Ladakh -194 101

T + 91 1982 258828 / 94198 71008
E-mail : mll@beml.co.in

Ramagundam

Near SCCL TTC, Jawahar Nagar,
Behind CISF Camp, Godavarikhani - 505 209.
Peddapalli Dist.,Telangana

T + 91 8728 248299 / 94408 58441
E-mail: mhr@beml.co.in

Udaipur

20-B,Uchhab Bhavan, Bedla Road,
Fatehpura, Udaipur - 313 001.
Rajasthan

T + 91 294 2452054
E-mail: mww@beml.co.in

Visakhapatnam

No. 8-45-11, 4th Lane,
Vidyannagar Chinna Waltair Colony
Visakhapatnam - 530 003, Andhra Pradesh

T/F + 91 891 2754608 / 83320 54590
E-mail : rm.vizag@beml.co.in

www.bemlindia.in

Represented by:

Blank box for representation details.

Form No. BE1800-D/01/2022

बी ई एम एल लिमिटेड

BEML LIMITED

Schedule 'A' Company under Ministry of Defence, Govt. of India

Hydraulic Excavators

BE75

BE220G

BE300LC

BE450LC

BE700

BE1000-1

BE1000E-1

BE1800D

BE1800E