

BACKHOE LOADER

BL 9H



beml

NEW FRONTIERS. NEW DREAMS



CEV Stage V Engine:

A direct injection system for reduced fuel consumption and assures high operational economy.



Easy maintenance:

Electronic display and monitoring system helps to prevent minor problems from becoming major ones.



BL9H (4x2)

Operating Mass : 7,600 Kg
Gross power : 55 kW (74 hp) @ 2200 rpm



BL9H (4x4)

Operating Mass : 7,700 Kg
Gross power : 55 kW (74 hp) @ 2200 rpm

1 Salient Features

Productivity:

Proven diesel engine, torque converter with transmission, fully oscillating steerable front axle and rigidly fixed heavy duty planetary rear axle.

CEV Stage V KOEL Engine:

A direct injection system for reduced fuel consumption and assures high operational economy.

The turbo charger allows engine to attain high performance even on high altitude job sites.

Manueverability:

Effortless power steering, optimum combination of travel speed, turning radius and wheel base.

Easy maintenance:

Electronic display and monitoring system helps to prevent minor problems from becoming major ones. Special dust seals for all linkage joints for higher performance and less manitenance.

Operator comfort:

Spacious walk through, steel cabin with two doors, two side windows & sliding rear window, ergonomically arranged controls & instruments and cushioned seat, Excellent visibility ensures easy operting of implements.

Reliability:

Attention-free wet multiple disc brakes on rear axle wheels. All structures are made of high tensile steel for longer life. The cutting edges, teeth, pins, bushing are highly reliable and durable.

2 Power Line

ENGINE	BL9H (4x2)	BL9H (4x4)
Make/Model	KOEL / 4R1190NA1	KOEL / 4R1190T-HT
Type	Naturally Aspirated, 4 Cylinder, Water Cooled, Diesel Engine.	Turbocharged, 4 Cylinder, Water Cooled, Diesel Engine.
Gross Power	55 kW (74 hp) @ 2200 rpm	55 kW (74 hp) @ 2200 rpm
Displacement	4.76 lt	4.76 lt
Max Torque	304 Nm @1500rpm	400 Nm @ 1200rpm
Lubrication	Forced	Forced
Air Cleaner	Dry Type	Dry Type
Electricals	12 V, Single Battery	12 V, Single Battery

TRANSMISSION

Make : Carraro
 Model : TCB80
 Transmission : Integral torque converter, 4 Forward and 3 Reverse speeds, optimally matched with engine.
 Max Speed : Forward - 39 Km/h & Reverse - 18 Km/h

3 Drive

AXLES & FINAL DRIVE

	BL9H (4x2)	BL9H (4x4)
Drive System	2 Wheel Drive	4 Wheel Drive
Front Axle	Non Drive, Steerable	Drive Steerable
Rear Axle	On board rigidly fixed to the frame, 100% differential lock with electro hydraulic control.	

BRAKES

Service brake : Hydraulically actuated wet multiple disc brake at rear wheels.
 Parking Brake : Hand operated, caliper brake on rear axle

STEERING

Steering Mechanism: Fully hydrostatic power steering system independent of engine speed.

TYRES

	BL9H (4x2)	BL9H (4x4)
Front	9.0 x 16, 16 PR	9.0 x 16, 16 PR
Rear	16.9 x 28, 12 PR	14.0 x 25, 20 PR
Optional	14.0 x 25, 20 PR	16.9 x 28, 12 PR

OPERATING MASS (KG)

	BL9H (4x2)	BL9H (4x4)
Operating Mass	7,600 Kg	7,700 Kg

4 Cabin

CABIN

Comfortable & high visibility cabin fitted with 2 doors and 2 side windows, sliding rear window and full safety glasses.

CONTROL PANEL

Located at easy visibility of the operator. Dashboard has been made into two modules, loader and loader - backhoe to improve operator comfort.

5 Hydraulics

HYDRAULIC PUMP

Type : Gear pump
 Capacity : 110 lpm @ 2200 engine rpm
 Relief pressure : 210 bar (21.0 MPa)
 Loader & Backhoe

FILTER SYSTEM

Engine : Two stage fuel filter with water sepeator
 Air Intake : Dry type, two stage air cleaner with dust evacuator.
 Hydraulic : Return line filter in hydraulic tank.

REFILL CAPACITY

Hydraulic : 90 L Engine Oil : 11.5 L
 Fuel tank : 135 L Transmission : 16 L
 Engine Coolant : 14 L Rear Axle : 18 L
 Front Axle (4x4) : 9 L

6 Performance

LOADER PERFORMANCE

Bucket capacity	: 1.2 m ³
Dumping clearance	: 2,700 mm (Max - Cutting edge)
Operating height	: 4,360 mm (Fully raised)
Max. Digging depth	: 150 mm
Dumping angle	: 45° (Bucket)
Breakout Force	: 57.8 kN (Bucket)
Breakout Force	: 47.0 kN (Arm)

BUCKET CAPACITY

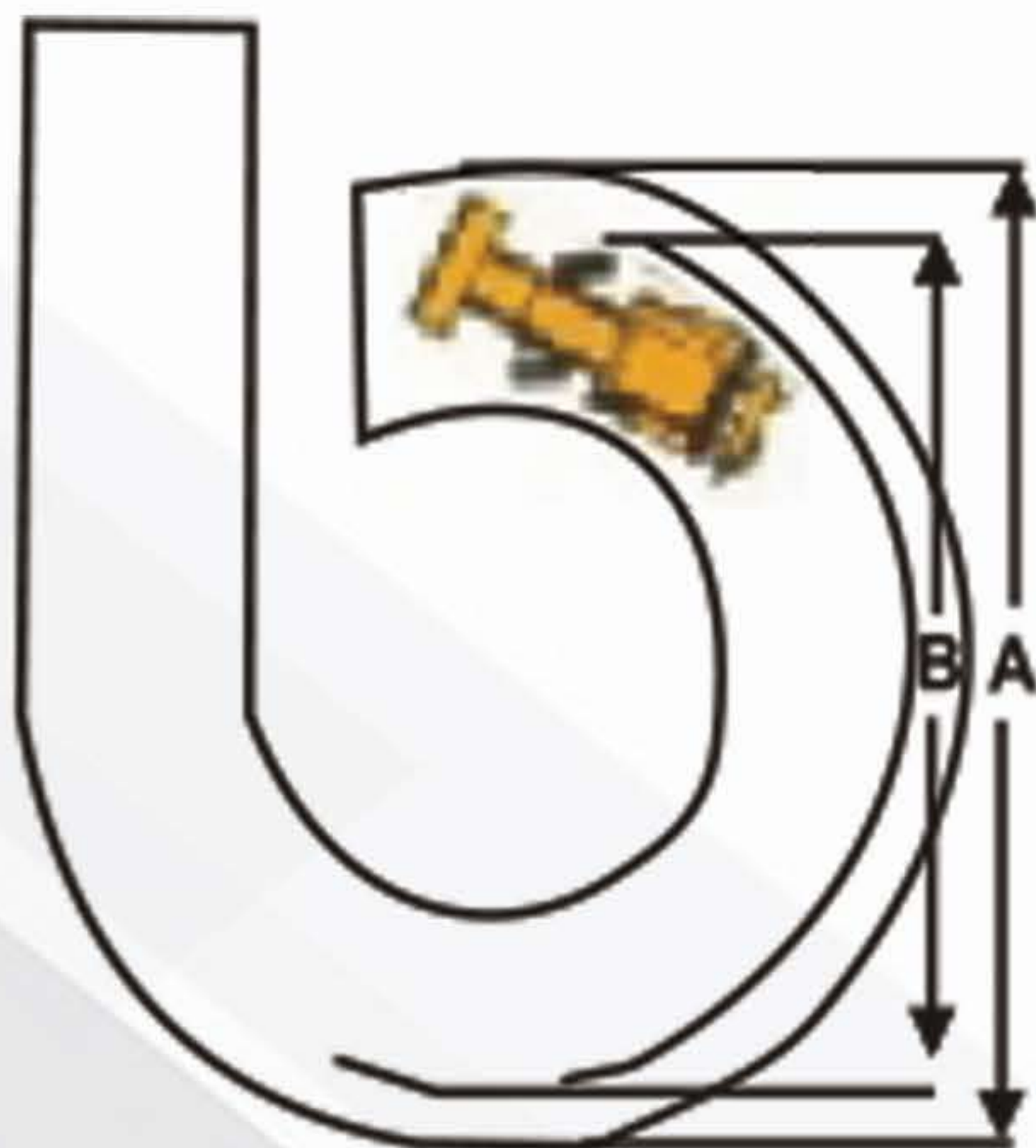
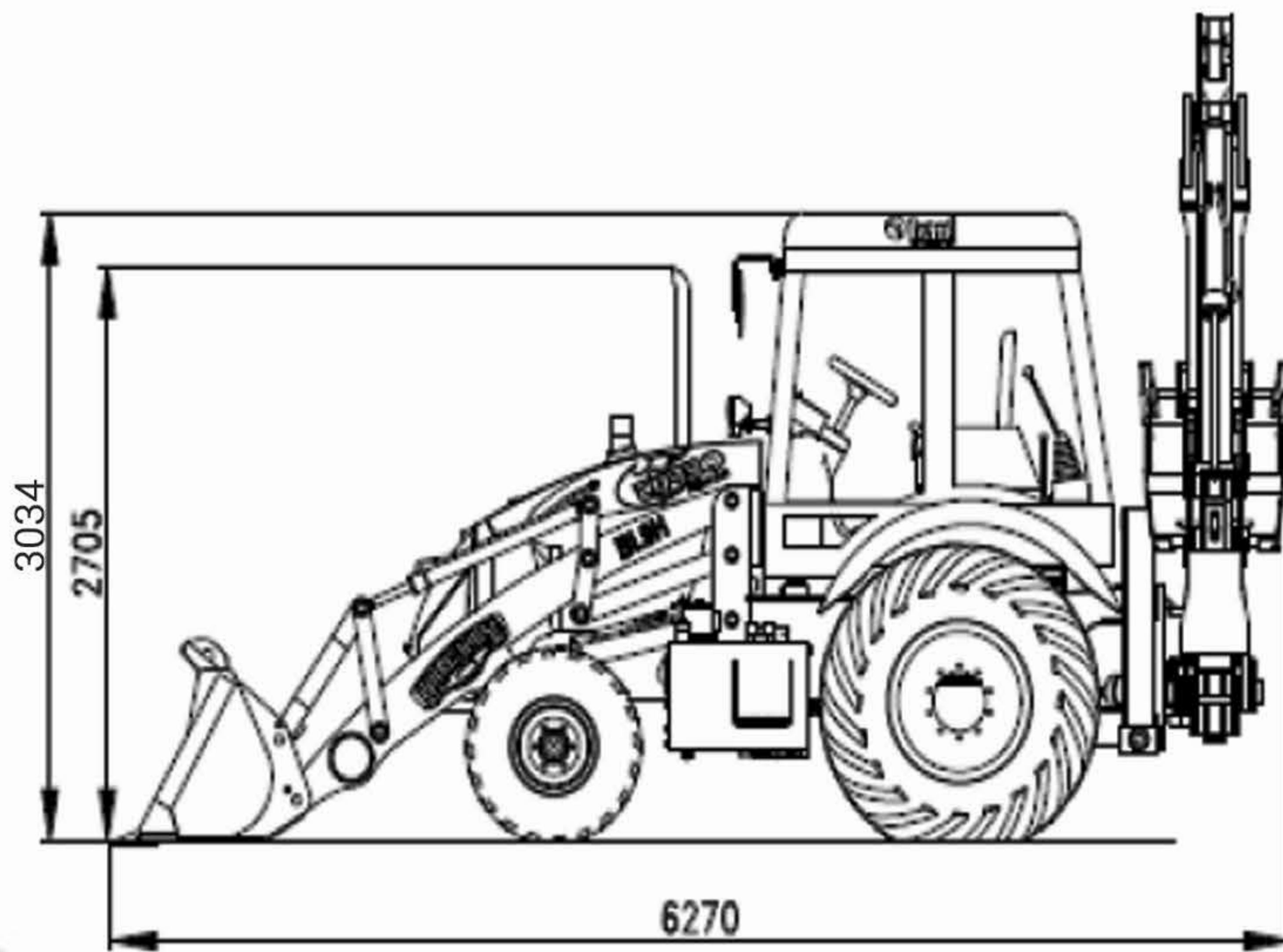
Loader	: 1.20 Cu.m (SAE Rated, Heaped)
Backhoe	: 0.24 Cu.m (SAE Rated, Heaped)

7 Features

STANDARD EQUIPMENT

12 V Starting Motor - 90 A Alternator - 12 V / 150 AH Battery - Dry tyre air cleaner - Suction Fan - Combi-cooler - Cold start kit (Opt) - Fornt Light - Electric horn - Rear View Mirror - All weather Steel Cab (with safety Glass windows, lockable door, window wiper, room lamp and adjustable seat) - Tool kit.

8 Dimensions (mm)



BACKHOE PERFORMANCE

Bucket capacity	: 0.24 m ³
Dumping clearance	: 4,025 mm (Maximum)
Operating height	: 5,880 mm (Fully raised)
Max. Digging depth	: 4,585 mm
Bucket rotation	: 180°
Total side shift travel	: 900 mm
Bucket dig force	: 54.5 kN
Arm crowding force	: 30.0 kN

TURNING CIRCLE

A Outside loader Bucket	: 13 m
B Outside wheels	: 10 m

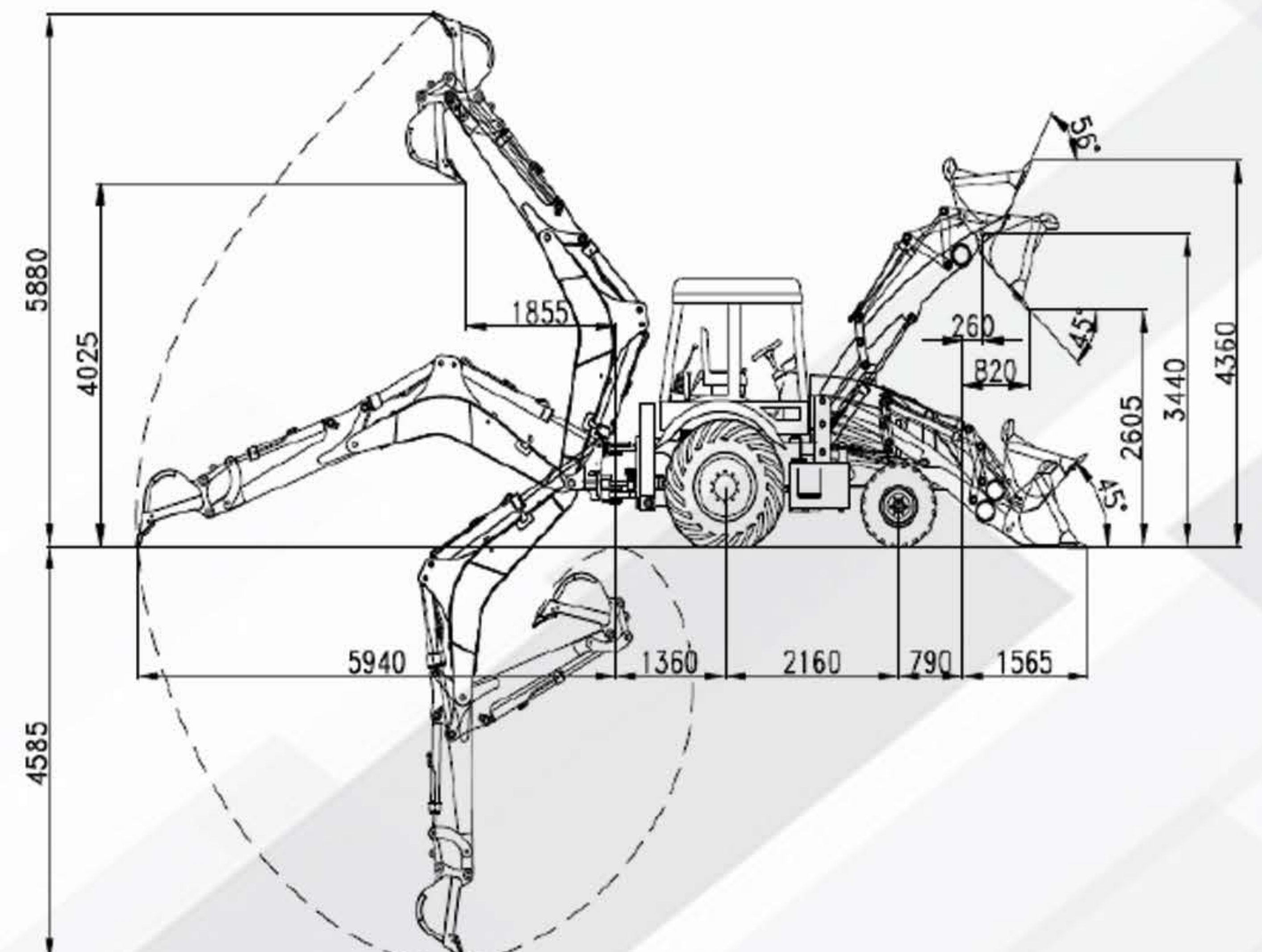
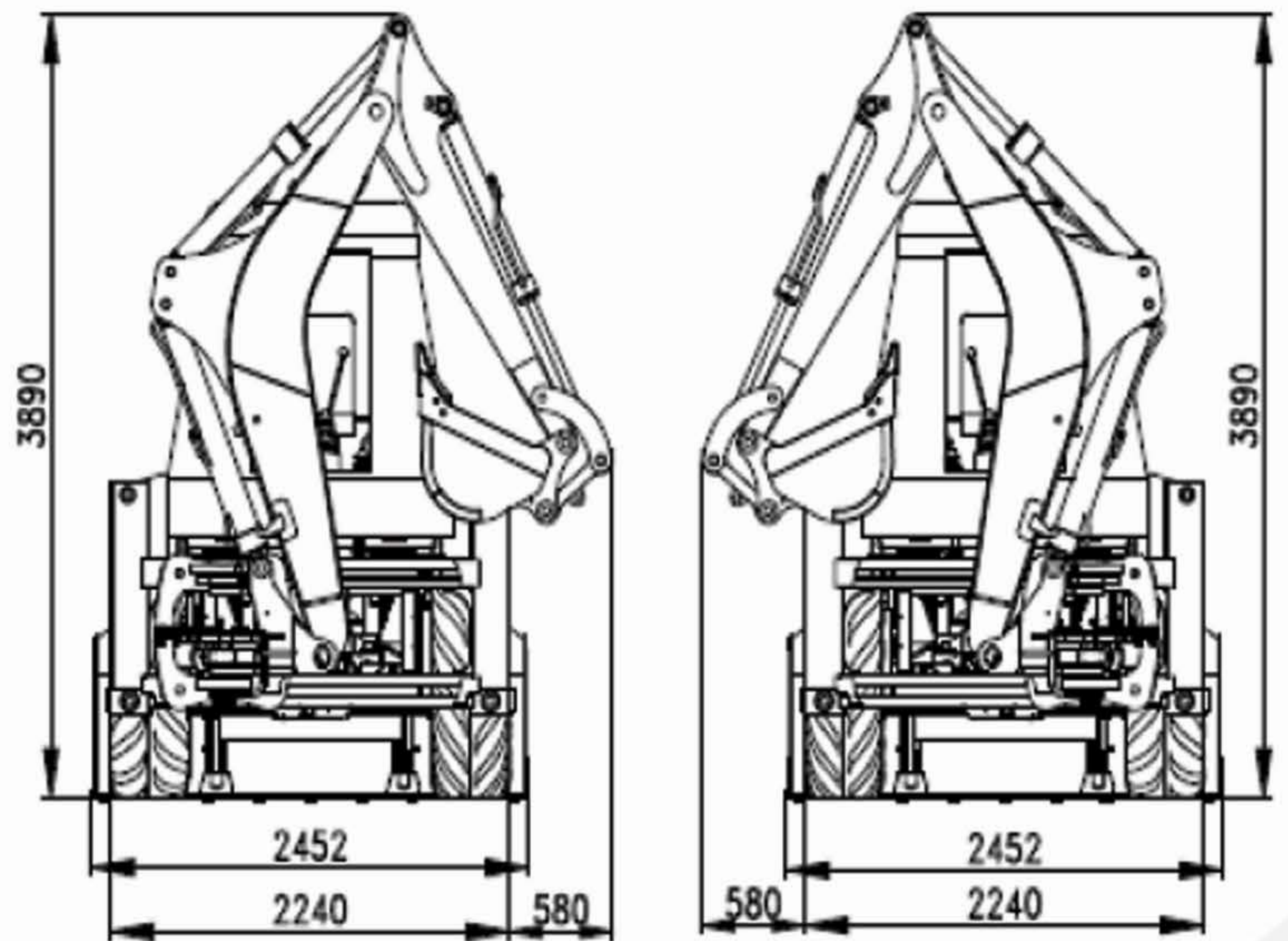
OPTIONAL

Loader:

6 in 1 operation (Multi purpose bucket) - Fork Lift - Jib Crane 1.8 ton - Bucket 1 Cu.m.

Backhoe:

Bucket 0.09 & 0.18 Cu.m
 Bucket 0.30 & 0.40 Cu.m (For low density)
 Ditch cleaning bucket 0.18, 0.22 & 0.35 Cu.m.
 Square hole bucket 0.1 Cu.m
 Taper ditching bucket 0.12 Cu.m
 Ripper - Jaw Bucket - Rock braker with chisel point &moil point. Air-Conditioned cabin, Long Arm.



बी ई एम एल लिमिटेड BEML LIMITED

Schedule 'A' Company under Ministry of Defence, Govt. of India



CORPORATE OFFICE

BEML Soudha, 23/1, 4th Main, S.R. Nagar, Bengaluru, Karnataka – 560 027
Tele : + 91 80 2296 3240 | + 91 80 2296 3250
Mail : corpcomm@bemltd.in | office.cpd@bemltd.in

SBU - MINING

BEML Soudha, 23/1, 4th Main,
S.R. Nagar, Bengaluru,
Karnataka – 560 027
T : + 91 80 2296 3508/29/32/33
E : yogananda.g@bemltd.in
ajeet.srivastava@bemltd.in

SBU - CONSTRUCTION

BEML Soudha, 23/1, 4th Main,
S.R. Nagar, Bengaluru,
Karnataka – 560 027
T : + 91 80 2296 3507/10
E : sateesha.kandagal@bemltd.in
manojkumar.k@bemltd.in

SBU - INTERNATIONAL BUSINESS

Flat No. E, F, G, H, 'Vandana'
11th Floor, 11, Tolstoy Marg,
Connaught Place,
New Delhi – 110 001
T : + 91 11 2344 3511/20
M : + 91 88003 16131
E : jitendra@bemltd.in

SBU - SUSTENANCE

BEML Soudha, 23/1, 4th Main,
S.R. Nagar, Bengaluru,
Karnataka – 560 027
T : +91 80 2296 3540/01/41
M : channappa.dm@bemltd.in
paritosh.pandey@bemltd.in
vc.kureel@bemltd.in

NORTH & WEST ZONE

Zonal Office : Nagpur
Mail : cs.singh@bemltd.in
Mob : +91 94091 19469

EAST ZONE

Zonal Office : Kolkata
Mail : sk.sarkar@bemltd.in
Mob : +91 94329 14839

SOUTH ZONE

Zonal Office : Hyderabad
Mail : rk.singh@bemltd.in
Mob : +91 92625 82170

REGIONAL OFFICES:

- **Bilaspur**
1-A, Industrial Area, Sirigitti, Sector-C,
Post-Chakarbhata,
Bilaspur, Chhattisgarh - 495 220
Tele : +91 07752 252745 / 252491
Mob: +91 94241 40063 / +91 94192 54944
Mail : onkar.nath@bemltd.in
- **Mumbai**
6A, Bakhtawar, Nariman Point,
Mumbai, Maharashtra - 400 021
Mob: +91 94060 55919 / +91 84357 00605
Mail : pandurang.k@bemltd.in
- **Nagpur**
No.33, Cement Road, Shivaji Nagar,
Nagpur, Maharashtra - 440 010
Tele : +91 0712 2248 845
Mob: +91 94236 83399
Mail : prasad.sawlikar@bemltd.in
- **New Delhi**
Flat No. E, F, G, H, 'Vandana', 11th Floor,
11, Tolstoy Marg, Cannought Place,
New Delhi - 110 001
Tele : +91 011 2344 3500/11
Mob: +91 88828 75741
Mail : gaurav.saxena@bemltd.in
- **Singrauli**
P B No. 5, Singrauli Colliery,
Singrauli, Madhya Pradesh - 486 889
Tele : +91 07805 272 668
Mob: +91 94258 23488
Mail : jayakumar.r@bemltd.in

REGIONAL OFFICES:

- **Dhanbad**
GT Road, Kandra Post - Bhitia, Govindpur,
Dhanbad, Jharkhand - 828 109
Tele : +91 94711 92023
Mail : alok.prasad@bemltd.in
- **Kolkata**
35/1A, Taratala Road,
Kolkata, West Bengal - 700 088
Tele : +91 033 2401 5286
Mob: +91 98749 87474
Mail : amritendu@bemltd.in
- **Ranchi**
1st Floor, BSNL Main Telephone Exchange
Building, Lake Road,
Ranchi, Jharkhand - 834 001
Tele : +91 0651 2540 710
Mob: +91 94311 08531
Mail : bijay.chaudhary@bemltd.in
- **Sambalpur**
BEML Complex, N H - 6,
Panchagachhia, Baraipalli Post,
Sambalpur, Odisha - 768 006
Tele : +91 0663 2521 604
Mob: +91 94370 69116
Mail : anand.xalxo@bemltd.in

REGIONAL OFFICES:

- **Bengaluru**
BEML Soudha, 23/1, 4th Main, S. R. Nagar,
Bengaluru, Karnataka - 560 027
Tele : +91 080 2296 3524
Mob: +91 88677 91154
Mail : madevu.mv@bemltd.in
- **Chennai**
Flat No.11, Supriya Estate,
No.3, Sterling Road, Nungambakkam,
Chennai, Tamil Nadu - 600 034
Tele : +91 044 2827 0792
Mob: +91 97909 59179
Mail : g.srinivasan@bemltd.in
- **Hyderabad**
3-6-114, Street No.18, Himayat Nagar,
Hyderabad, Telangana - 500 029
Tele : +91 040 2322 7032
Mob: +91 99083 49018
Mail : anwar.basha@bemltd.in

DISTRICT OFFICES:

Ahmedabad | Bhilai | Chandrapur | Jammu | Leh |
Pune | Udaipur

DISTRICT OFFICES:

Asansol | Bhubaneshwar | Guwahati

DISTRICT OFFICES:

Bacheli | Hospet | Kothagudem | Neyveli |
Ramagundam | Visakhapatnam

ACTIVITY CENTERS:

Bhopal | Goa | Maihar

ACTIVITY CENTERS:

Itanagar | Likabali

ACTIVITY CENTERS:

Kochi

STRATEGIC BUSINESS UNITS

Mining | Construction | Sustenance | Hydraulics & Powerline | Armoured | Aerospace |
Engines | HMV | Commuter Rail | Metro Rail | International Business | Maritime | SEZ |

REPRESENTED BY:

* Material & Specifications are subject to change without notice, Illustrations may include optional Equipment & Accessories.
* BEML Logo & Colors used herein are trademarks of BEML & may not be used without permission.
* For more information on BEML products, services & solutions visit www.bemlindia.in or scan QR code above.