

BE1800E

HYDRAULIC EXCAVATOR



- Efficient Hydraulic System
- Closed loop swing system
- Aesthetically improved cabin
- Optimized service & maintainability index
- Powerful induction motor
- Effort-free operation
- Maximum Working Performance
- High Total Reliability and Durability
- Easy Maintenance
- Operator Comfort

BACKHOE :

Gross Horsepower	: 2 X 300 kW @ 1500 r/min
Operating mass	: 170000 kg
Bucket capacity	: 10.5 m ³ - 12.0 m ³

LOADING SHOVEL :

Gross Horsepower	: 2 X 300 kW @ 1500 r/min
Operating mass	: 175000 kg
Bucket capacity	: 7.5 m ³ - 12.0 m ³



BE1800E HYDRAULIC EXCAVATOR

Salient Features :

Efficient hydraulic system for increased productivity :

Three pump hydraulic system with independent closed loop swing function not only assures smooth compound work equipment movements and travel but also shortens the cycle time

Powerful economical motor :

2x6.6 kV, 4 pole, 3 phase, 50 Hz TEFV squirrel cage induction motors delivers 2 x 300 kW to assure high operational economy.

Effort free operation :

Work equipment controls are simple and light touch due to the hydraulically assisted control system.

Maximum working performance :

Wide working range and large undercarriage assure stable operation for maximum working performance.

Easy maintenance :

Centralised monitoring systems within the operator's cab allows fast daily checks and also keeps the operator constantly informed of any abnormality during operation.

Operator comfort :

Specially designed cab provides plenty of work space and excellent visibility.

Minimum Downtime : Automatic lubrication system supplies optimum amount of grease to vital hinge pins and swing circle bearings reducing failures and downtime.

Safety :

Automatic fire detection and suppression system prevents fire accidents and hence minimizes loss of valuable resources.

MOTOR

Type	: Squirrel cage Induction motor
Out put	: 2 x 300 kW
Voltage	: 6.6 kV +/- 10%
Rated current	: 33 A each (at 6.6 kV)
Frequency	: 50 Hz
Revolutions	: 1,500 rpm
Starting current	: 4.5 p.u (approx.)

- Custom made electric motor to withstand severe mining conditions.
- Power limit control by Pump Management System
- Note: The hydraulic specification of the electric-driven machine varies from the diesel driven version.

HYDRAULIC SYSTEM

Unique four pump system and independent swing function assure smooth compound movements of the work equipment. Unique positive flow control system controls all pumps for efficient use of motor power. This system also reduces hydraulic loss during operation, resulting in low power consumption. Oil to air hydraulic oil cooler maintains optimum heat balance of the hydraulic oil.

Hydraulic pumps

Four variable-capacity piston pumps power the boom, arm, bucket and travel circuits.

Capacity (discharge flow) at motor revolutions : 4 x 410 ℓ/min

Two variable capacity piston pumps power the swing circuit.

Capacity (discharge flow) at motor revolutions : 2 x 358 ℓ/min

Hydraulic Motors :

Travel : Four axial piston motors with brake valve (Two for each track)

Swing : Two axial piston motors with swing holding brake.

Control Valves : Eight way spool type x 2

Relief valve settings

Implement circuits : 31.4 MPa (320 kg/cm²)

Travel circuits : 31.4 MPa (320 kg/cm²)

Swing circuits : 31.4 MPa (320 kg/cm²)

Pilot circuits : 3.43 MPa (35 kg/cm²)

Hydraulic cylinders (Backhoe) :

Cylinder	Number	Bore x Stroke
Boom	2	280 mm x 2660 mm
Arm	2	250 mm x 2180 mm
Bucket	2	200 mm x 2170 mm

Hydraulic cylinders (Loading shovel) :

Cylinder	Number	Bore x Stroke
Boom	2	280 mm x 2110 mm
Arm	2	225 mm x 1830 mm
Bucket	2	225 mm x 1870 mm
Bottom dump	2	180 mm x 460 mm

STEERING

Steering / travel controls are actuated with either hand levers or foot pedals. Pushing both levers (or pedals) makes the machine to move forward. Pulling them back makes the machine to move backward. Setting one lever (or pedal) in neutral and the other in forward enables the machine to make a pivot turn. Pushing one forward while pulling the other backward makes the machine counter-rotate on the spot.

DRIVES

Fully hydrostatic drive system. Each track is driven by two hydraulic motors. Power is transmitted through spur gears and planetary reduction gears to the track.

Max. drawbar pull : 1030 kN (105000 kg)

Max. travel speed : 0.75 m/s (2.7 km/h)

STANDARD ACCESSORIES

Two modes selection, Fully hydrostatic drive, Track roller guards, Travel motor guards, Wet disc type parking brake, Swing holding brake, Hydraulic idler cushion (HIC), Vandalism cap, Segmented sprocket, Tool box, Electronic monitoring panel. All steel High mount cab includes tinted glass windows, reclining seat, magazine box, ash tray, rubber mat, rear view mirror, cabin fan, wind shield wiper, portable fire extinguisher and room lamp. Counter weight, Automatic lubrication system, Hydraulically operated Auto Lubrication system, Wind shield washer, Front wind shield guard.

OPTIONAL ACCESSORIES

Heater, Air conditioner, Falling Object Protective Structure (FOPS), Track shoe (1010 mm).





BRAKES

Hydraulic lock type brakes. Each travel motor is equipped with a brake valve. When the travel / steering levers are positioned in neutral, the brake is automatically applied. When the brakes are applied, the brake valve softens shocks and also serves to regulate speeds when making descent. Oil, multiple-disc type parking brakes, which are hydraulically interconnected with travel / steering levers, are also automatically actuated on the final-drive shaft.



SWING SYSTEM

Two piston motors power the swing system through swing machineries with spur and planetary reduction gears. The wet disc type swing holding brake is automatically applied when the control lever is positioned in neutral. Single-row shear type ball bearings with induction-hardened internal gears are built-in in the swing circle.

Swing speed : 4.5 r/min
Tail Swing radius : 6000 mm



UNDER CARRIAGE

Job-proven undercarriage with long track and wide track gauge. Center frame is mounted on the track frames and secured with bolts. Variable track gauge. Sealed tracks. Lubricated rollers and idlers. Hydraulic track tension adjusters with a cushion cylinder. Assembled track-type tractor shoes with double grousers.

Shoe width : 810 mm
Grouser height : 23 mm
No. of shoes (each side) : 49
No. of track rollers (each side) : 8
No. of carrier rollers (each side) : 3
Ground pressure (Backhoe) : 162 kPa (1.65 kg/cm²)
Ground pressure (Loading shovel) : 164 kPa (1.67 kg/cm²)



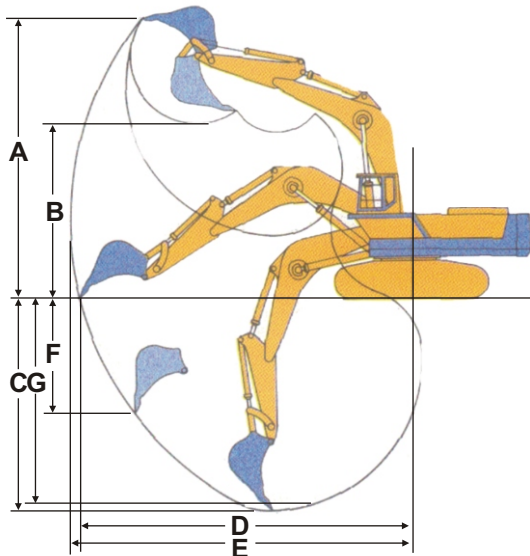
SERVICE REFILL CAPACITY

Final drive (each side) : 2 x 85.0 ℓ
Swing drive : 2 x 37.0 ℓ
Hydraulic oil : 1500 ℓ
Pump drive (PTO) : 2 x 10.0 ℓ



WORKING RANGE AND ATTACHMENT (BACKHOE)

Arm		4.1 m	5.0 m
A	Max. digging height	13550	13850
B	Max. Dumping height	8730	9030
C	Max. digging depth	10000	10730
D	Max. Digging reach at ground level	16040	16900
E	Max. Digging reach	16450	17290
F	Max. Vertical digging depth	5630	6260
G	Max. digging depth of cut at 2.44 m level	9900	10630
	Arm crowd force kN (kgf)	535 (54,500)	467 (47,800)
	Bucket digging force kN (kgf)	571 (58,200)	571 (58,200)



OPERATING MASS (approx.)

LOADING SHOVEL :

Operating mass including 5,900 mm boom, 4,400 mm arm, 10.2 m³ SAE/ISO heaped bucket, operator, lubricant and the standard accessories: 175000 kg.

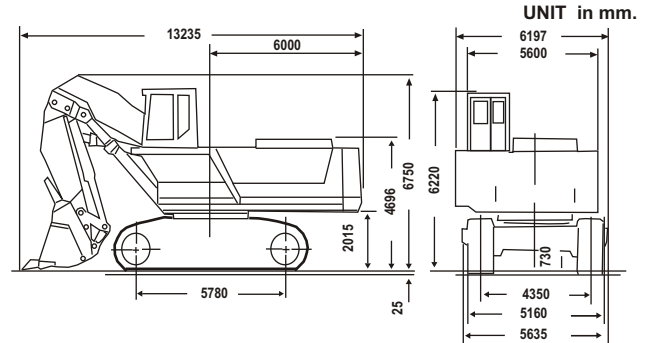
BACKHOE :

Operating mass including 9,100 mm boom, 4,100 mm arm, 10.5 m³ SAE/ISO heaped bucket, operator, lubricant and the standard accessories: 170,000 kg.

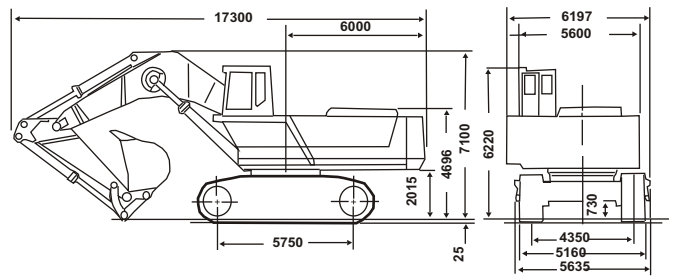


DIMENSIONS

With 5900 mm boom, 4400 mm arm and 10.2 m³ bucket

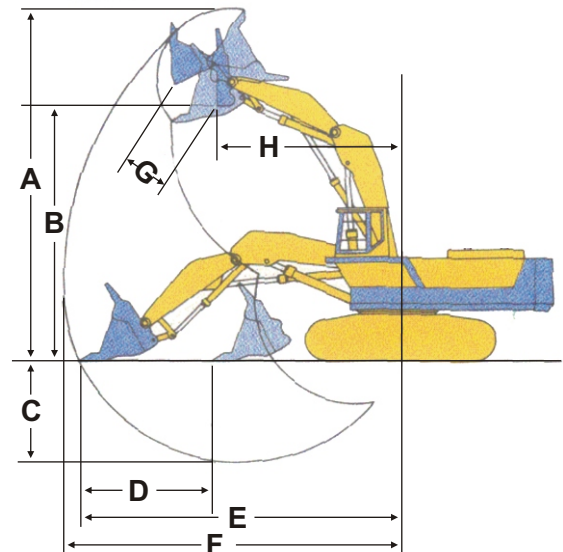


With 9,100 mm boom, 4,100 mm arm and 10.5 m³ bucket



WORKING RANGE AND ATTACHMENT (LOADING SHOVEL)

Units in mm	Bottom dump bucket 10.2 m ³	
A	Max. cutting height	14,110
B	Max. dumping height	10,230
C	Max. digging depth	4,050
D	Level crowding distance	5,220
E	Max. digging reach at ground level	12,500
F	Max. digging reach	13,140
G	Max. Bucket throat opening	1,890
H	Reach at max. dumping height	7,140
	Digging force (bucket)	716 kN (73,000 kgf)
	Digging force (arm)	716 kN (73,000 kgf)



Material and specifications are subject to change without notice, Illustrations may include optional equipment & accessories

बी ई एम एल लिमिटेड

BEML LIMITED

A Govt. of India Miniratna Company Under Ministry of Defence

Business Network

Corporate Office

BEML Soudha, 23/1, 4th Main, S.R. Nagar, Bangalore-560 027

T + 91 80 22963240, 22963250

F + 91 80 22963278/516/280/164

E-mail: office@cpd.beml.co.in
office@pr.beml.co.in

International Business Division

BEML Soudha, 23/1, 4th Main, S.R. Nagar, Bangalore-560 027

T + 91 80 22222730, 22233350
22963187, 22963215

F + 91 80 22224874

E-mail: office@export.beml.co.in

Marketing Division

5th Floor, Unity Building, J.C. Road, Bangalore-560 002

T + 91 80 22963501/02/07/510/553

F + 91 80 22963541

E-mail: m@beml.co.in
bemdealer@dealer.beml.co.in

Global Service HQ

C-6, Central Hingna Road, MIDC Industrial Area, Hingna, Nagpur-440 028

T + 91 7104 287097/287098

F + 91 7104 287099

E-mail: ss.servicehq@gmail.com
ss@servicehq.beml.co.in

REGIONAL OFFICES

Bilaspur 1/A, Sector-C, Sirgitti Industrial Area, P.O: Tifra, Bilaspur - 495 223, Chattisgarh.	T + 91 7752 252745, 252598 F + 91 7752 252065 E-mail: bilaspur@rm.beml.co.in
Chennai Flat No. 10&11, Supriya Estates, Sterling Road, Nungambakkam, Chennai - 600 034, Tamil Nadu	T + 91 44 28276576 / 28220844 F + 91 44 28257319 E-mail: chennai@rm.beml.co.in
Dhanbad Kamal Kunj, Kola Kusuma, Saraidhela, Dhanbad - 828 127 Jharkhand	T + 91 326 2200180 / 2208982/5827 F + 91 326 2200182 E-mail: dhanbad@rm.beml.co.in
Hyderabad 3-6-114, Himayat Nagar, Hyderabad - 500 029 Andhra Pradesh	T + 91 40 23225250 / 7032 / 2166 F + 91 40 23221794 E-mail: hyderabad@rm.beml.co.in
Kolkatta 35/1, Taratalla Road, Kolkatta - 700 088, West Bengal	T + 91 33 24015286 / 87 / 98 / 99 F + 91 33 24015288 E-mail: kolkatta@rm.beml.co.in
Mumbai Rajmahal, 84 Veer Nariman Road, Church Gate, Mumbai - 400 020, Maharashtra	T + 91 22 22042533 / 22049490 F + 91 22 22852633 E-mail: mumbai@rm.beml.co.in
Nagpur 33, Cement Road, Shivaji Nagar, Nagpur - 440 010, Maharashtra.	T + 91 0712 2248435 / 2248343 F + 91 0712 2249997 E-mail: nagpur@rm.beml.co.in
New Delhi Flat EFGH, 'Vandana', 11th Floor, Tolstoy Marg, New Delhi - 110 001	T + 91 11 23310035 / 23316500 F + 91 11 23325085 E-mail: delhi@rm.beml.co.in
Ranchi 206/D-1, Bhagirathi, (Behind NCC Campus), Rameshwaram Colony, Bariatu Road, Ranchi, Jharkhand - 834009	T + 91 651 2540710 / 2540791 F + 91 651 2540624 E-mail: ranchi@rm.beml.co.in
Sambalpur BEML Complex, NH-6, Baraipalli, Sambalpur - 768 150 Orissa.	T + 91 663 2521604 / 2520393 F + 91 663 2521603 E-mail: sambalpur@rm.beml.co.in
Singrauli PB No. 5, Jhingurdha Colliery, Sidhi, Singrauli - 486 889 Madhya Pradesh.	T + 91 7805 268260 / 266668 F + 91 7805 267282 / 318 E-mail: singrauli@rm.beml.co.in

www.bemlindia.com

Represented by :



DISTRICT OFFICES

Ahmedabad 266-1, Dilbaug Villa, Darshan Society Road, Navrangpura, Ahmedabad - 380 009, Gujarat	T + 91 79 26445523 F + 91 79 26423950 E-mail: ahmedabad@rm.beml.co.in
Asansol 3, Bumpur Road, Asansol - 713 304 West Bengal	T + 91 341 2252480 F + 91 341 2250601 E-mail: asansol@rm.beml.co.in
Bacheli Behind Central Stores of NMDC Ltd., Depot 5, Bacheli - 494 553, Chhattisgarh	T + 91 7857 200518 F + 91 7857 230005 E-mail: bacheli@rm.beml.co.in
Bhilai Room No. 22/C, BSP Building, Near Ispat Bhavan, Bhilai - 490 001 Chhattisgarh.	T + 91 788 2223882, 2894721 F + 91 788 2221652 E-mail: bhilai@rm.beml.co.in
Bhopal Ground Floor, Hall No.1, Chittod Complex Zone-1, Maharanapratap Nagar (MP Nagar) Bhopal - 462 023	T + 91 755 2550711 E-mail: bemlbhopal@gmail.com
Bhubaneswar 252/A, LEWIS Road, Bhubaneswar - 751 014 Orissa	T + 91 674 2434428 T/F + 91 674 2434427 E-mail: bhuvaneshwar@rm.beml.co.in
Chandrapur Mamidwar, Tiles Factory Compound, Ghugus Road, Padoli, Chandrapur - 442 406 Maharashtra	T + 91 7172 287230 F + 91 7172 287072 E-mail: chandrapur@rm.beml.co.in
Cochin No. 55/845, Chittoor Road, Ernakulam South Cochin-682 016	T + 91 484 2375138 E-mail: bemlkochi@gmail.com
Guwahati Hegrabari Road, House No. 11, Ganesh Puri, Dispur, Guwahati - 781 006 Assam	T + 91 361 2232966 F + 91 361 2232967 E-mail: guwahati@rm.beml.co.in
Hospet L-8, KSSIDC Industrial Area, Dam Road, Hospet - 583 203 Karnataka	T + 91 8394 223173 F + 91 8394 230172 E-mail: hospet@rm.beml.co.in
Jammu 62C, Block D/C, Gandhi Nagar, Jammu tawi - 180 004 Jammu and Kashmir	T + 91 191 2430447 F + 91 191 2477469 E-mail: jammu@rm.beml.co.in
Kothagudem Old Project Planning Department, Near SCCL Corporate Office, Kothagudem - 507 101, Andhra Pradesh	T + 91 8744 245572 F + 91 8744 245530 E-mail: kothagudem@rm.beml.co.in
Madurai 9-4/49, Kalai Nagar, Ind Main Road, Madurai - 625 017, Tamil Nadu.	T/F + 91 452 2649458 E-mail: madurai@rm.beml.co.in
Neyveli F-4, Rajendraprasad Road, Block-27 Neyveli - 607 803, Tamil Nadu	T/F + 91 4142 268517 E-mail: neyveli@rm.beml.co.in
Goa 67-12, Dattaprasad Building, III Floor, MG Road, Timphoni School, Panjim - 403 001, Goa	T/F + 91 832 2225135 E-mail: goa@rm.beml.co.in
Ramagundam Opp. SCCL 11A Mines, Manthani, (PO) Jallaram, GK - 505 184 Karimnagar Dt. Andhra Pradesh	T + 91 8728 248299 F + 91 8728 247423 E-mail: ramagundam@rm.beml.co.in
Udaipur 20-B, Uchhab Bhawan, Bedia Road, Fatehpura, Udaipur - 313 004, Rajasthan	T + 91 294 2452053, 2452055 F + 91 294 2452054 E-mail: udaipur@rm.beml.co.in
Visakhapatnam No. 8-45-11, 4h Lane, China Weltair Colony, Visakhapatnam - 530 003	T/F 0891 2754608 E-mail: vizag@rm.beml.co.in

Form No: BE1800E/002/07/2013

बी ई एम एल लिमिटेड

BEML LIMITED

A Govt. of India Miniratna Company Under Ministry of Defence

